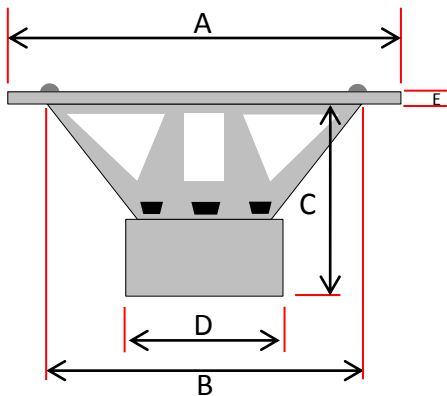




## TECHNICAL SPECIFICATIONS

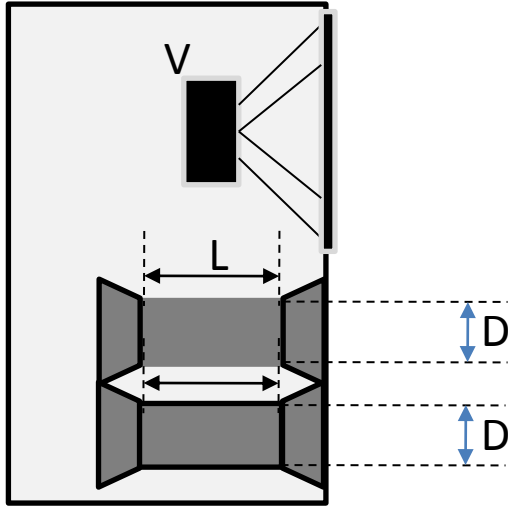
|                                  |                            |                              |                               |
|----------------------------------|----------------------------|------------------------------|-------------------------------|
| Product name                     | GZNW 18XSPL                | Gasket                       | Steeling                      |
| Product type                     | Subwoofer chassis          | Terminal                     | Black chrome push terminal    |
| H.Art .nr.                       | 125080                     | Power handling               | 6500 W SPL Power              |
| Diameter                         | 465 mm / 18.3"             | Impedance                    | 2 x 1 Ohm                     |
| Mounting diameter                | 425 mm / 16.73"            | Re                           | 2.3 Ohm                       |
| Mounting depth                   | 286 mm / 11.26"            | Res                          | 119.3 Ohm                     |
| Magnet dimension                 | 3 x 220 x 20 mm            | FS                           | 31.3 Hz                       |
| Total weight                     | 23,5 KG                    | Qms                          | 6                             |
| Voice coil diameter              | 75 mm / 3" Round Wire      | Qes                          | 0.64                          |
| Voice coil winding height        | 50 mm / 1.97"              | Qts                          | 0.57                          |
| Voice coil wire material         | CCA                        | Rms                          | 12.6 kg/s                     |
| Voice coil former material       | Aluminum                   | Cms                          | 0.07 mm/N                     |
| Top plate height                 | 27 mm / 1.063"             | Mms                          | 385.6gr                       |
| Linear excursion (one direction) | 11,5 mm / 0.452"           | BL                           | 16.6 N/A                      |
| Effective Xmax                   | 50 mm / 2"                 | SPL                          | 96 dB                         |
| Top Plate and T-Yoke color       | Black Machined             | VAS                          | 139,7 L / 4.93 cu.ft          |
| Basket material                  | Aluminium Cast             | Le                           | 1.06 mH                       |
| Basket color                     | Yellow                     | Recommended freq. response   | 25 – 100 Hz                   |
| Spider                           | 5x Progressive Connex      | Recommended amplifier power  | 2000–6500WRMS @20hm (0,5 Ohm) |
| Surround                         | High Roll Sandwich Foam    | Sound Quality                | ⊙⊙⊙⊙ (max. ⊙⊙⊙⊙⊙⊙)            |
| Cone                             | Reinforced paper           | SPL Competition              | ⊙⊙⊙⊙⊙ (max. ⊙⊙⊙⊙⊙⊙)           |
| Dustcap                          | IMPP konvex / with 3D Logo | Low bass performance 20-50Hz | ⊙⊙⊙⊙⊙⊙ (max. ⊙⊙⊙⊙⊙⊙)          |
| Magnetcover                      | PVC                        | Mid bass performance 50-80Hz | ⊙⊙⊙⊙ (max. ⊙⊙⊙⊙⊙⊙)            |



|   |                 |
|---|-----------------|
| A | 465 mm / 18.3 " |
| B | 425 mm / 16.73" |
| C | 286 mm / 11.26" |
| D | 220 mm / 8.66"  |
| E | 10mm / 0.39"    |



**BOX RECOMMENDATION**



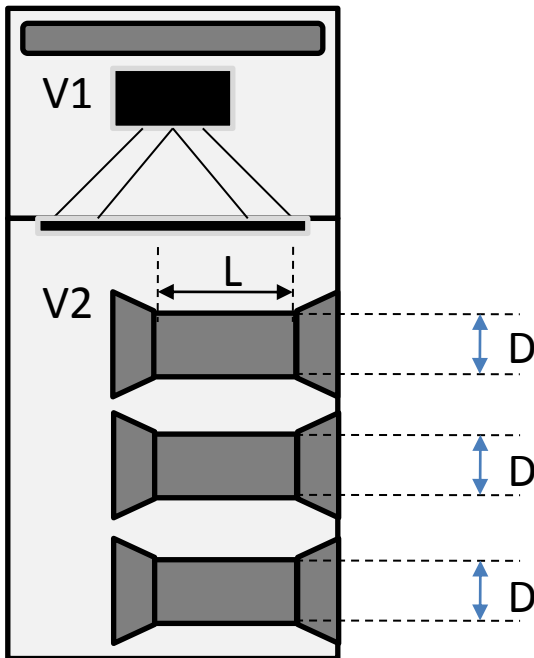
**Big size vented box**

V: 200 L / 7.06 cu.ft  
 D: 2x 160 mm / 6"  
 L: \*167 mm / 6.57"

No damping

**Medium size sealed box**

**Not recommended**



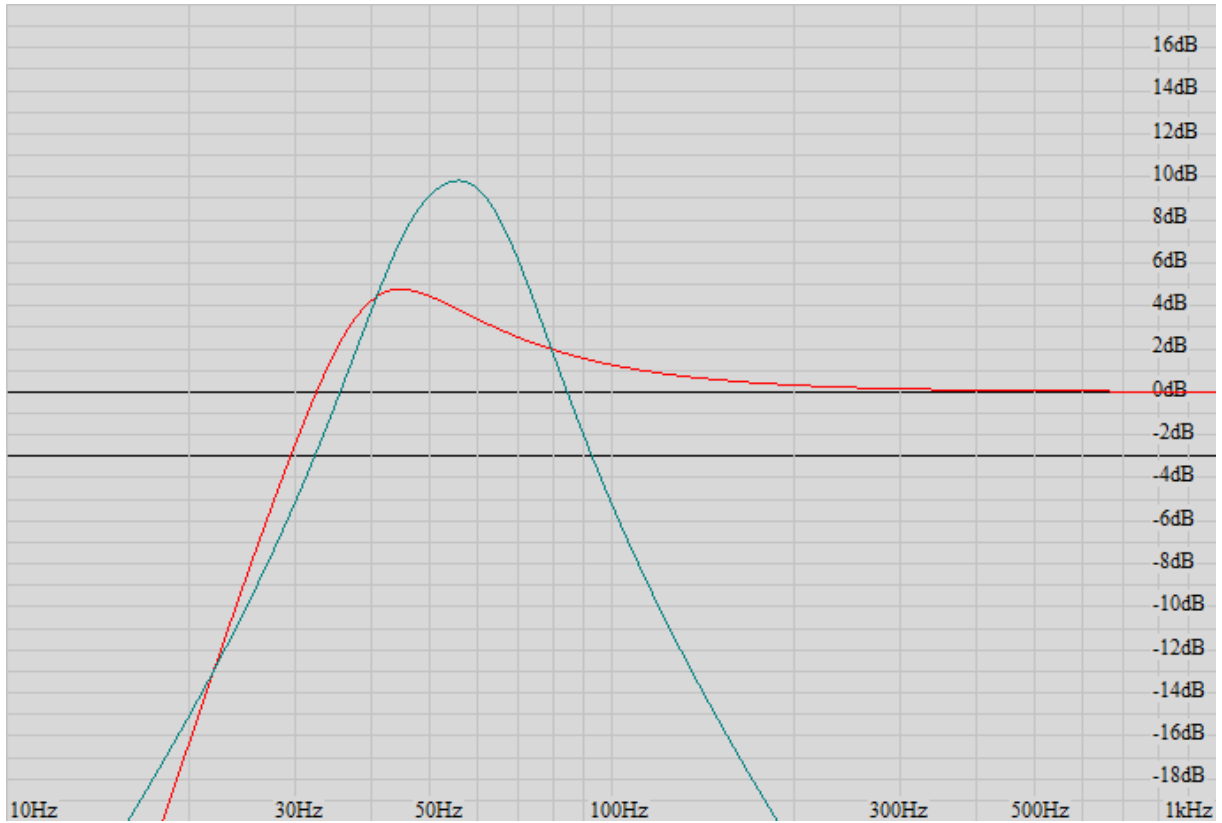
**Medium size bandpassbox**

V1: 70 L / 2.47 cu.ft  
 V2: 140 L / 4.94 cu.ft  
 D: 3x 160 mm / 6"  
 L: \*300 mm / 12"

20% polyester wool in V1  
 No damping in V2

Die hier aufgeführten Gehäusevorschläge sind nur einige, der möglichen Varianten.  
 Bitte beachten Sie zudem, dass die finale Abstimmung, speziell die Port Längen je nach Fahrzeug und eigenem Geschmack variiert werden sollte.  
*Above-mentioned enclosure recommendations are just a few possible variations.*  
*Please note that you should find the perfect tuning, especially port length, based on your car and own taste.*



**BOX RECOMMENDATION**


| Curve | Type               | Volume  | F3/ Qtc           |
|-------|--------------------|---|-------------------|
| Red   | Vented             | 200 L / 7.06 cu.ft                              | 29 Hz             |
|       | sealed             | Not recommended                                 |                   |
|       | sealed             | Not recommended                                 |                   |
| Green | Bandpass 4th order | V1: 70 L / 2.47 cu.ft<br>V2: 140 L / 4.94 cu.ft | Centerfreq. 55 Hz |

Die hier aufgeführten Gehäusevorschläge sind nur einige, der möglichen Varianten.

Bitte beachten Sie zudem, dass die finale Abstimmung, speziell die Port Längen je nach Fahrzeug und eigenem Geschmack variiert werden sollte.

*Above-mentioned enclosure recommendations are just a few possible variations.*

*Please note that you should find the perfect tuning, especially port length, based on your car and own taste.*

